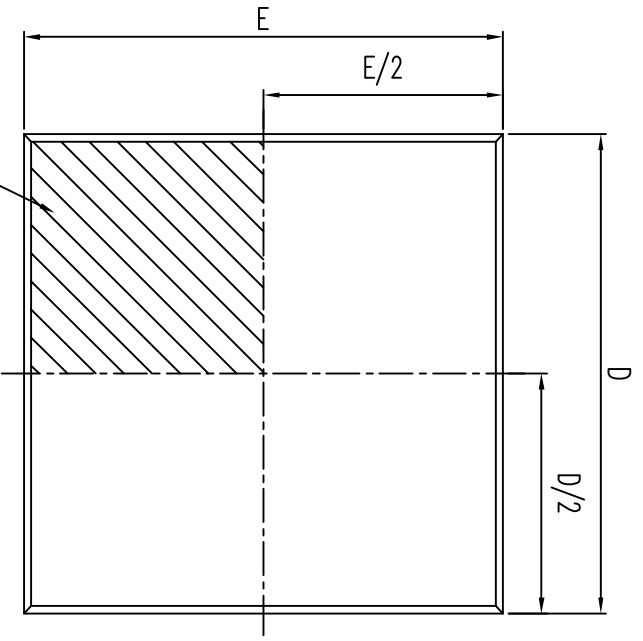
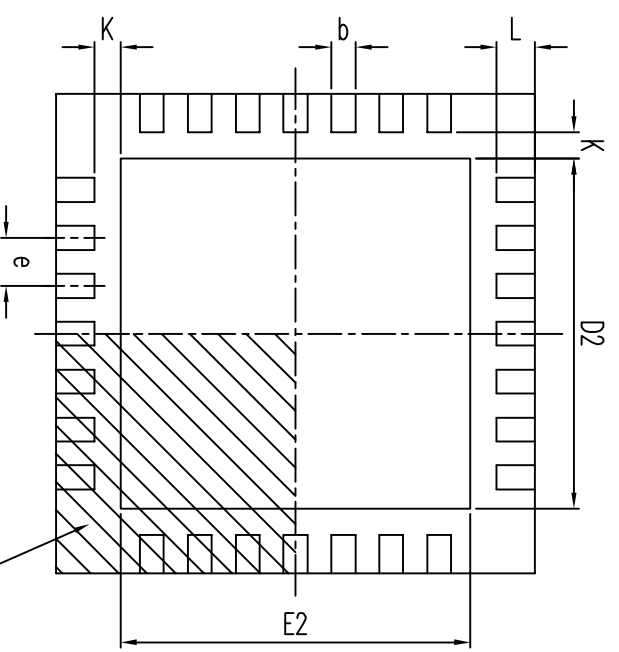


REV.	DESCRIPTION	BY	DATE
ORIG.	DRAWING ISSUE	SANDY CHEN	06.19.2014

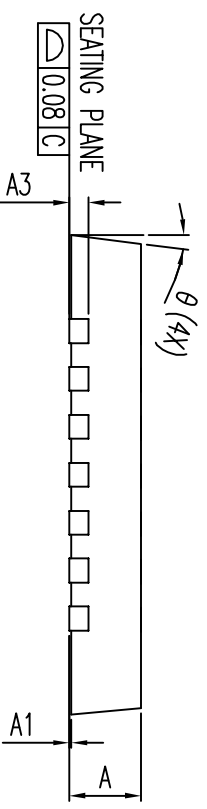
TOP VIEW



BOTTOM VIEW



SYMBOL	DIMENSION IN MM		
	MIN.	NOM.	MAX.
A	0.70	0.75	0.80
A1	0	0.02	0.05
A3	0.20 REF.		
D	5.00 BASIC		
D2	3.50	3.65	3.80
E	5.00 BASIC		
E2	3.50	3.65	3.80
e	0.50 BASIC		
b	0.18	0.25	0.30
L	0.35	0.40	0.45
K	0.20		
θ	0°		14°
JEDEC	MO-220 (Variation WHHD-3)		



SIDE VIEW

CWT Chant World Technology Inc.		ANGULAR ±	
TITLE WQFN 28L PACKAGE OUTLINE		ROUGH-NESS ∇	
BODY SIZE : 5 X 5 MM		SCALE 18 : 1	
DESIGNED	SANDY CHEN 06.19.2014	UNIT	QTY
CHECKED	SANDY CHEN 06.19.2014	FILE NAME :	WQFN28L(5x5x0.75) A3
APPROVED	SANDY CHEN 06.19.2014	DWG. NO.:	CW-PT-003A